

MART Washer PUMP Identification

Look at the Upper bearing cap to determine the pump style.

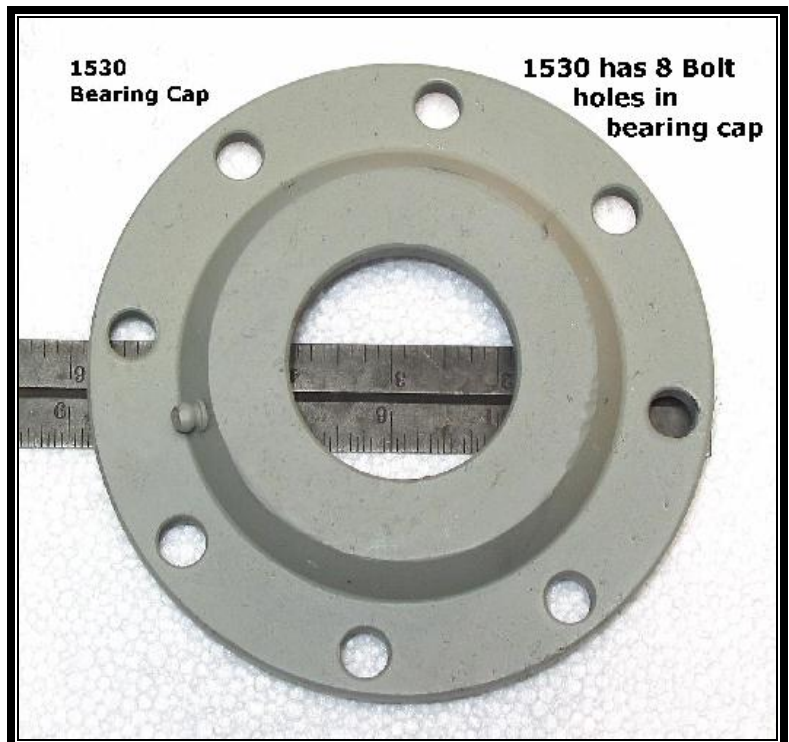


Pump Style 12V

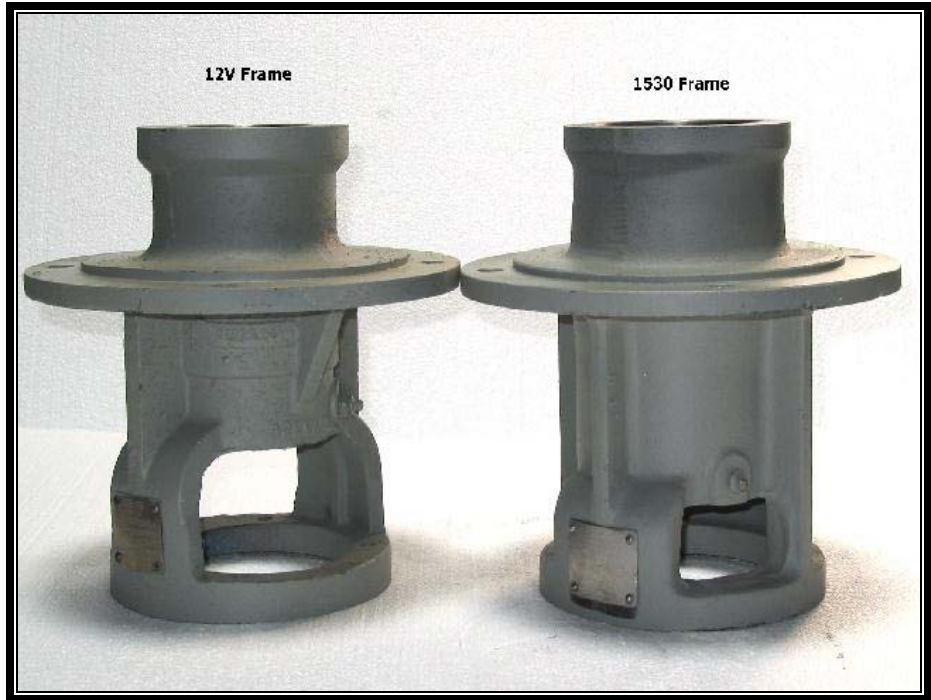
Older MART parts washer Pump Frame style 12V bearing cap. Note: four attachment holes and plug opposite grease fitting

Pump Style 1530

Newer MART parts washer Pump Frame style 1530 bearing cap. Note eight holes and grease fitting without raised boss.



The MART Power Washer pump 1530 Bearing Frame versus the 12V bearing frame. Note the larger opening on the 12V frame and the heavier support on the 1530 frame. The 1530 has four posts attached to the lower ring for additional support. (Left 12V, Right 1530)



The 1530 Column versus the 12V column. Note the stiffener ribs on the 1530 column and the smaller amount of open area. (Left 1530, Right 12V)