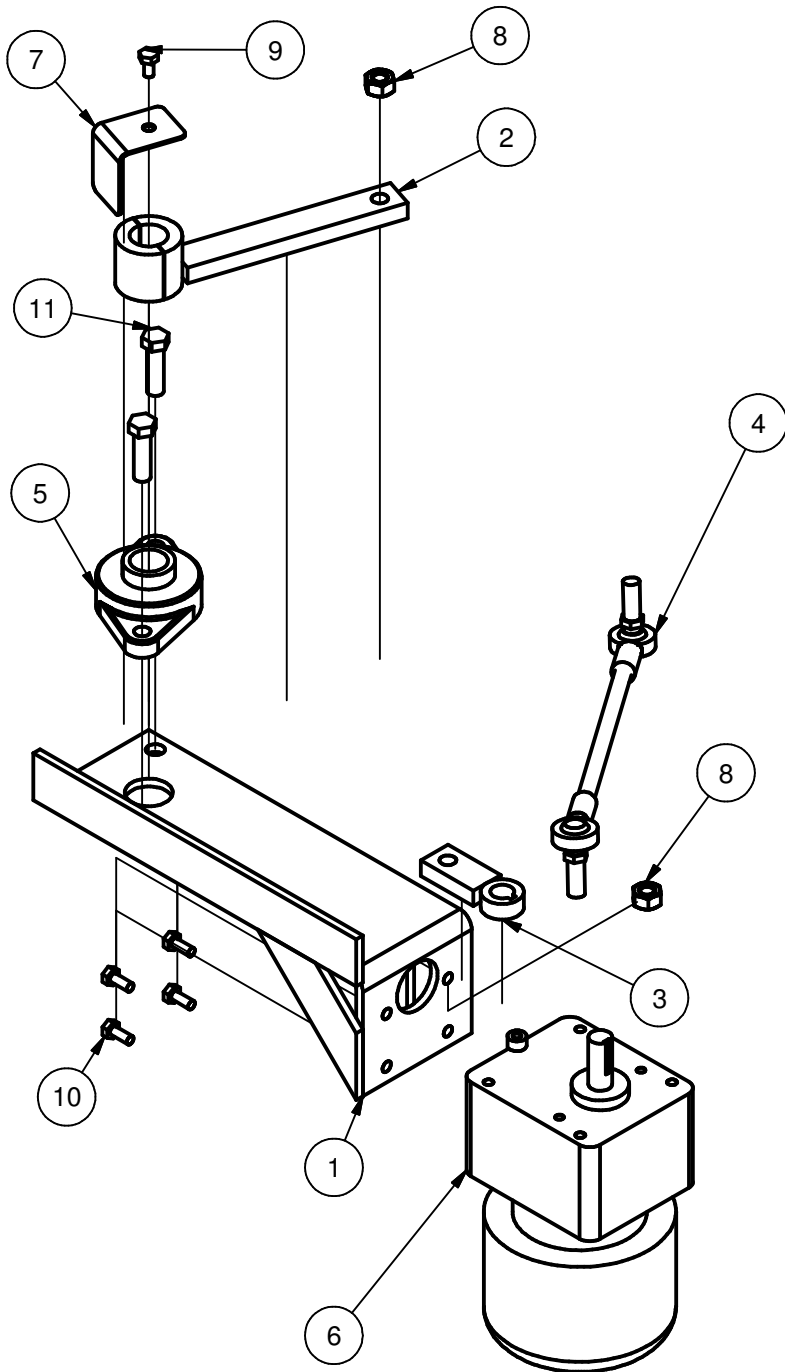


NOTE: 1)USE SHORT ARM #3A FOR CYCLONE 30
 2)USE #6A FOR 50 HZ MACHINES



Parts List

ITEM	QTY	PART #	DESCRIPTION
1	1	69294	ASSY,PBM DRIVE MOUNTING BRACKET
2	1	69295	ASSY,ARM,LONG,PBM DRIVE
3	1	69299	ASSY,ARM,PBM DRIVE,SHORT,40 & UP
3A	1	69296	ASSY,ARM,PBM DRIVE,SHORT,30
4	1	69297	ASSY,LINKAGE,PBM DRIVE
5	1	42580	BEARING,FLANGE,2BLT,BALL
6	1	28070	GEARMOTOR,1/40 HP,4 RPM,60 HZ
6A	1	51155	GEAR MOTOR,1/12 HP,8 RPM,50 HZ
7	1	71818	FLAG,PBM DRIVE
8	2	29210	NUT,HEX,STL,7/16-20
9	1	48480	BOLT,HEX,STL,1/4-20x1/2
10	4	20940	BOLT,HEX,STL,1/4-20x3/4
11	2	36430	BOLT,HEX,STL,7/16-14x1-1/4

TITLE
 ASSY,PBM DRIVE,EXP VIEW

SIZE A	DWG NO 69285EV	REV
-----------	-------------------	-----

DRAWN BY steves 3/8/2004 SHEET 1 OF 1

THIS DRAWING/PRINT IS THE PROPERTY OF
 THE ARCUS CORPORATION ANY
 REPRODUCTION OR USE OF THIS
 DRAWING/PRINT, WITHOUT THE EXPRESS
 WRITTEN CONSENT OF THE ARCUS
 CORPORATION IS PROHIBITED